

# **SINGER**

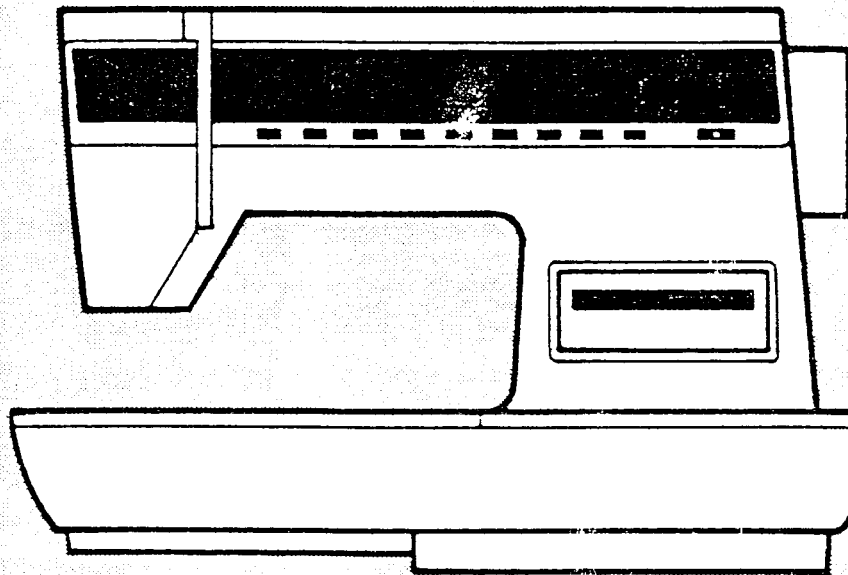
## **2005A**

# LIST OF PARTS

FEB 17 1982

## Model 2005A

HOUSEHOLD SEWING MACHINE



by **SINGER**\*

*pg. 23-24  
reverse feed button  
N/A - discontinued*

From the library of: Diamond Needle Corp



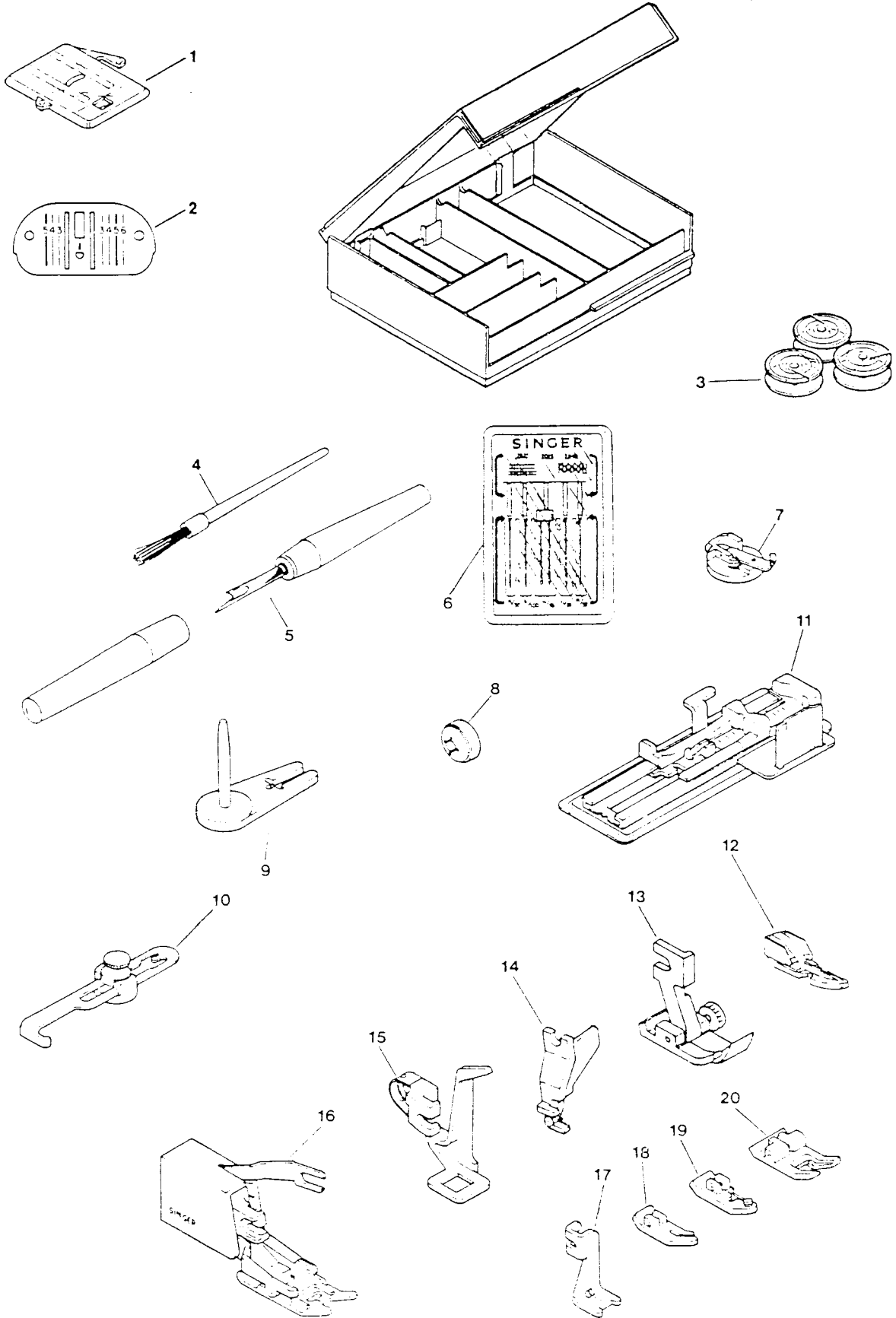
Copyright © 1981 THE SINGER COMPANY  
All Rights Reserved Throughout the World

\*A Trademark of THE SINGER COMPANY

## TABLE OF CONTENTS

PAGE NO.	SUBASSEMBLY
1, 2	ATTACHMENT SET
3, 4	COVERS AND ADD-ONS
5, 6	HOOK AND HOOK DRIVE
7, 8	NEEDLE BAR DRIVE AND HANDWHEEL
9, 10	TENSION MODULE
11-14	HEAD END MODULE
15-18	FEED DRIVE MECHANISM
19-20	BIGHT DRIVE AND NEEDLE BAR RELEASE MECHANISMS
21-22	TRANSFORMER, CAPACITORS AND CIRCUIT BREAKER
23-26	CONTROL ELECTRONICS
27-28	ELECTRICAL EQUIPMENT

ATTACHMENT SET / 266



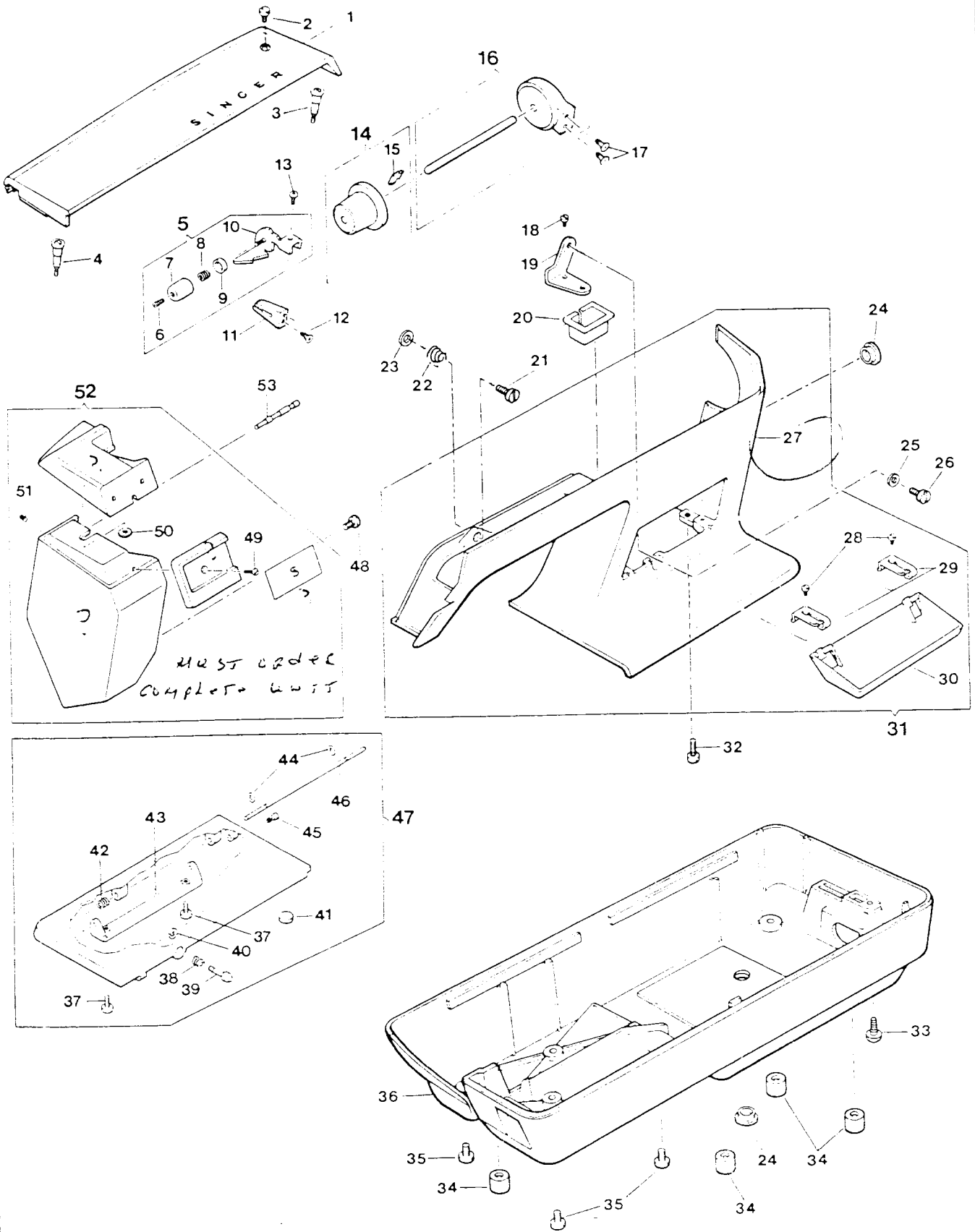
21

From the library of: Diamond Needle Corp

REF.	PART NO.	DESCRIPTION
01	381457	FEED COVER PLATE, FOR DARNING, EMBROIDERY (PLASTIC) (5 MM).
02	381244	THROAT PLATE FOR STRAIGHT & CHAINSTITCH SEWING (5 MM).
03	383931	BOBBIN (PLASTIC).
04	501750	LINT BRUSH.
05	543135	BUTTONHOLE CUTTER AND SEAM RIPPER.
06	384063	NEEDLE PACK (FLAT PACK, COLOR-CODED).
07	171438-451	CHAIN STITCH ATTACHMENT LOOP RETAINER INSERT COMPLETE.
08	507664-454	ARM SPOOL PIN THREAD LEAD-OFF (SMALL, PLASTIC).
09	381114-451	SPOOL PIN FOR TWIN NEEDLE SEWING (PLASTIC).
10	161172	SEAM & BLINDSTITCH HEM GUIDE COMPL..
11	421284-451	BUTTONHOLER (ONE-STEP) PRESSER FOOT PLATE (SNAP-ON) COMPL. <i>N/A</i> (1 3/8).
12	171480	PRESSER FOOT PLATE (SNAP-ON) FOR CORDING & SLIDE FASTENERS COMPL..
13	381491	BLINDSTITCH HEM PRESSER FOOT.
14	503277	NEEDLE THREADER COMPL..
15	384037	DARNING & EMBROIDERY FOOT COMPLETE (PLASTIC).
16	506415-452	EVEN FEED FOOT (COMPL.) (6 MM BIGHT).
17	381066	PRESSER FOOT FOR BUTTON SEWING (6 MM BIGHT).
18	502277	PRESSER FOOT PLATE (SNAP-ON) FOR STRAIGHT SEWING (502277-900 PLATED).
19	171460	PRESSER FOOT PLATE (SNAP-ON, SLOTTED) FOR SLANT OVEREDGE & OVEREDGE STRETH STITCH (6 MM BIGHT).
20	171463	SPECIAL PURPOSE PRESSER FOOT PLATE (SNAP-ON).
21	384043	ATTACHMENT SET COMPL., PACKED IN ATTACHMENT BOX NO. 171434-900.

## COVERS AND ADD ONS / 645

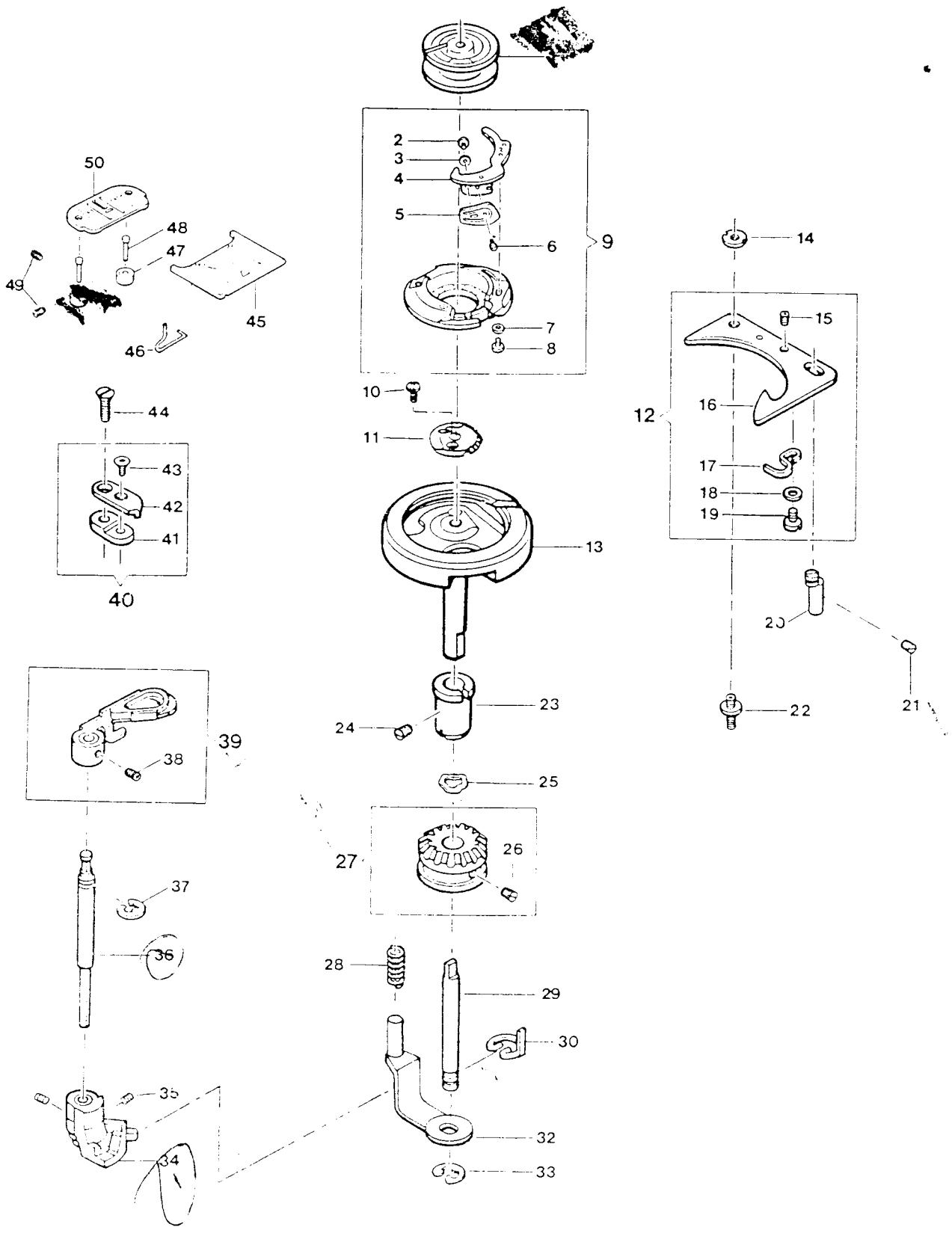
REF.	PART NO.	DESCRIPTION
01	383902-451	ARM TOP COVER (382127-454 MACHINED). <i>FOR 6000M/c P/N 383902-600</i>
02	354870-451	ARM TOP COVER LOCK SCREW.
03	383901	ARM TOP COVER GUIDE SCREW STUD.
04	382681-001	ARM TOP COVER GUIDE SCREW STUD.
05	383151-451	PRE-TENSION COMPL..
06	139878-869	PRE-TENSION STUD NUT SET SCREW.
07	383763-451	PRE-TENSION STUD NUT (PLASTIC).
08	174418	PRE-TENSION DISC SPRING.
09	45915	PRE-TENSION DISC.
10	383150	PRE-TENSION BRACKET (383150-900 PLATED).
11	182238-451	THREAD GUIDE (OUTSIDE, BACK OF ARM) (PLASTIC) (182238-900 MACHINED).
12	139935-451	THREAD GUIDE (OUTSIDE, BACK OF ARM) SCREW.
13	354030-451	PRE-TENSION MOUNTING SCREW.
14	163149-004	ARM SPOOL PIN THREAD LEAD-OFF COMPL..
15	163150	ARM SPOOL PIN THREAD LEAD-OFF SPRING CLIP.
16	382485-451	ARM SPOOL PIN.
17	354491-451	ARM SPOOL PIN HOLDER SCREW.
18	141824-814	ARM FRONT COVER MOUNTING BRACKET SCREW.
19	382565	ARM FRONT COVER MOUNTING BRACKET.
20	604537-001	GROMMET (PLASTIC).
21	354644-451	ARM FRONT COVER SCREW (LEFT).
22	383087	ARM FRONT COVER SPRING.
23	731808-008	ARM FRONT COVER SCREW (RIGHT) WASHER.
24	383529-451	BED (CONVERTIBLE) COVER (BOTTOM) ACCESS HOLE PLUG (PLASTIC).
24	383529-451	ARM ACCESS HOLE PLUG (PLASTIC).
25	383094	ARM FRONT COVER MOUNTING RING (RUBBER).
26	141824-814	ARM FRONT COVER SCREW (RIGHT).
27	383093-451	ARM FRONT COVER (383093-900 MACHINED & PAINTED). <i>FOR 6000M/c P/N 383922-600</i>
28	988066-001	ARM FRONT COVER LID HINGE SPRING (LEFT & RIGHT) SCREW.
29	382262	ARM FRONT COVER LID HINGE SPRING (LEFT & RIGHT).
30	384005-451	ARM FRONT COVER LID WITH DECAL.
31	384015-451	ARM FRONT COVER.
32	354020-451	ARM FRONT COVER SCREW (BOTTOM).
33	354678-451	BED (CONVERTIBLE) COVER (BOTTOM) SCREW.
34	148509-452	BED (CONVERTIBLE) COVER (BOTTOM) CUSHION.
35	141860-814	BED (CONVERTIBLE) COVER (BOTTOM) FASTENING SCREW.
36	383895- <sup>557</sup> <del>552</del>	BED (CONVERTIBLE) COVER (BOTTOM).
37	141860-814	BED (CONVERTIBLE) LID HINGE BRACKET SCREW.
38	381877	BED (CONVERTIBLE) LID LATCH SPRING.
39	381874-451	BED (CONVERTIBLE) LID LATCH (PLASTIC).
40	182195	BED (CONVERTIBLE) LID LATCH RETAINING RING.
41	<del>384015-451</del> <sup>384136-451</sup>	BED (CONVERTIBLE) LID PAD (SELF-ADHESIVE). - <i>384136-451</i>
42	381876	BED (CONVERTIBLE) LID HINGE SPRING.
43	382140	BED (CONVERTIBLE) LID HINGE BRACKET.
44	507562	BED (CONVERTIBLE) LID HINGE PIN RETAINING RING.
45	381878	BED (CONVERTIBLE) LID POSITIONING BUTTON (PLASTIC).
46	382741	BED (CONVERTIBLE) LID HINGE PIN.
47	382739-451	BED (CONVERTIBLE) LID.
48	354563-451	FACE PLATE SCREW (LOWER) (354563-452 PLATED).
49	354074-451	FACE PLATE PANEL SCREW.
50	618718-001	FACE PLATE TOP RETAINING CLIP.
51	140440-451	FACE PLATE SCREW (UPPER).
52	384019-451	FACE PLATE COMPL.. - <i>FOR 6000M/c P/N 354019-600</i>
53	382162	FACE PLATE POSITIONING STUD.



From the library of: Diamond Needle Corp



HOOK AND HOOK DRIVE / 046



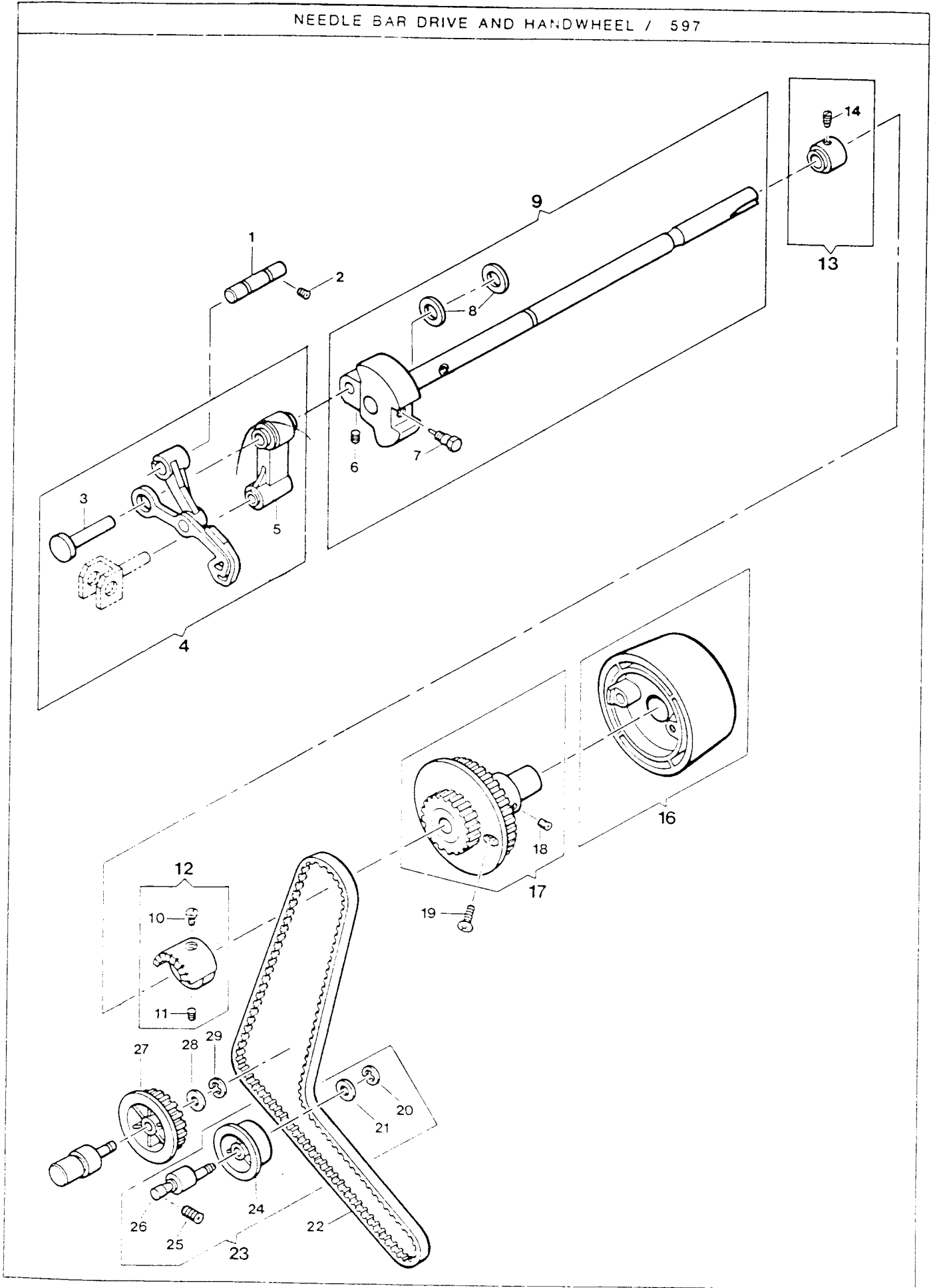
From the library of: Diamond Needle Corp

REF.	PART NO.	DESCRIPTION
01	383931	ROTATING HOOK BOBBIN (PLASTIC).
02	354299-451	ROTATING HOOK BOBBIN CASE TENSION SPRING REGULATING SCREW.
03	381946	ROTATING HOOK BOBBIN CASE TENSION SPRING REGULATING SCREW FRICTION WASHER (PLASTIC).
04	181559-001	ROTATING HOOK BOBBIN CASE TENSION SPRING BRACKET.
05	382449	ROTATING HOOK BOBBIN CASE TENSION SPRING.
06	354164-451	ROTATING HOOK BOBBIN CASE TENSION SPRING CLAMPING SCREW.
07	381694	ROTATING HOOK BOBBIN CASE TENSION SPRING BRACKET SCREW WASHER.
08	139995-452	ROTATING HOOK BOBBIN CASE TENSION SPRING BRACKET SCREW.
09	382986	ROTATING HOOK BOBBIN CASE COMPL..
10	354807-451	ROTATING HOOK THREAD PULL OFF INSERT MOUNTING SCREW.
11	<del>383705</del> 384137	ROTATING HOOK THREAD PULL OFF INSERT.
12	383739	ROTATING HOOK BOBBIN CASE POSITION PLATE COMPL..
13	383703	<del>ROTATING HOOK.</del>
14	54594-451	ROTATING HOOK BOBBIN CASE POSITION PLATE SCREW NUT.
15	354190-451	ROTATING HOOK BOBBIN CASE POSITION PLATE ADJUSTING SCREW (354190-452 WITH FUSED PLASTIC MATERIAL).
16	383700	ROTATING HOOK BOBBIN CASE POSITION PLATE.
17	381884	ROTATING HOOK BOBBIN CASE CUSHION SPRING (381884-900 CLEANED & HARDENED).
18	381825-453	ROTATING HOOK BOBBIN CASE CUSHION SPRING WASHER.
19	354215-451	ROTATING HOOK BOBBIN CASE CUSHION SPRING SCREW.
20	383579	ROTATING HOOK BOBBIN CASE POSITION PLATE ADJUSTING STUD (ECCENTRIC).
21	141338-869	ROTATING HOOK BOBBIN CASE POSITION PLATE ADJUSTING STUD (ECCENTRIC) SET SCREW.
22	354150-452	ROTATING HOOK BOBBIN CASE POSITION PLATE SCREW (354150-451 WITH FUSED PLASTIC MATERIAL).
23	383598	ROTATING HOOK FLANGED BUSHING (ECCENTRIC) (383598-900 MACHINED).
24	354725-451	ROTATING HOOK FLANGED BUSHING (ECCENTRIC) SET SCREW.
25	384013	ROTATING HOOK FLANGED BUSHING SPRING WASHER.
26	141338-869	ROTATING HOOK BEVEL GEAR (PLASTIC) SET SCREW.
27	<del>382879</del>	<del>ROTATING HOOK BEVEL GEAR (PLASTIC).</del> 382 990
28	163791	ROTATING HOOK BOBBIN WINDER ACTUATING LEVER SHAFT CAM FOLLOWER SPRING.
29	181562	ROTATING HOOK BOBBIN DRIVING SHAFT.
30	181564	ROTATING HOOK BOBBIN DRIVING SHAFT CLUTCH SPRING (181564-900 TUMBLED).
32	181576	ROTATING HOOK BOBBIN WINDER LIFTING BRACKET.
33	381694	ROTATING HOOK BOBBIN DRIVING SHAFT RETAINING RING.
34	<del>384099</del>	<del>ROTATING HOOK BOBBIN WINDER ACTUATING LEVER SHAFT CAM.</del> DISC
35	354907-451	ROTATING HOOK BOBBIN WINDER ACTUATING LEVER SHAFT CAM SET SCREW.
36	381959	ROTATING HOOK BOBBIN WINDER ACTUATING LEVER SHAFT. NLA
37	165472	ROTATING HOOK BOBBIN WINDER ACTUATING LEVER SHAFT RETAINING RING.
38	354247-451	ROTATING HOOK BOBBIN WINDER ACTUATING LEVER HUB SET SCREW.
39	382326	ROTATING HOOK BOBBIN WINDER ACTUATING LEVER.
40	381847	ROTATING HOOK BOBBIN CASE POSITION FINGER, COMPLETE.
41	381665	ROTATING HOOK BOBBIN CASE POSITION FINGER MOUNTING PLATE.
42	181554	ROTATING HOOK BOBBIN CASE POSITION FINGER.
43	354149-451	ROTATING HOOK BOBBIN CASE POSITION FINGER ADJUSTING SCREW.
44	354148-452	ROTATING HOOK BOBBIN CASE POSITION FINGER SCREW.
45	382801	BED SLIDE WITH MOLDED PLASTIC WINDOW.
46	383121	BED SLIDE STOP.
47	507196	THROAT PLATE SECURING MAGNET.
48	174256	THROAT PLATE CATCH PIN.
49	354176-451	THROAT PLATE CATCH PIN SCREW.
50	383720	THROAT PLATE FOR ZIG-ZAG SEWING

From the library of: Diamond Needle Corp

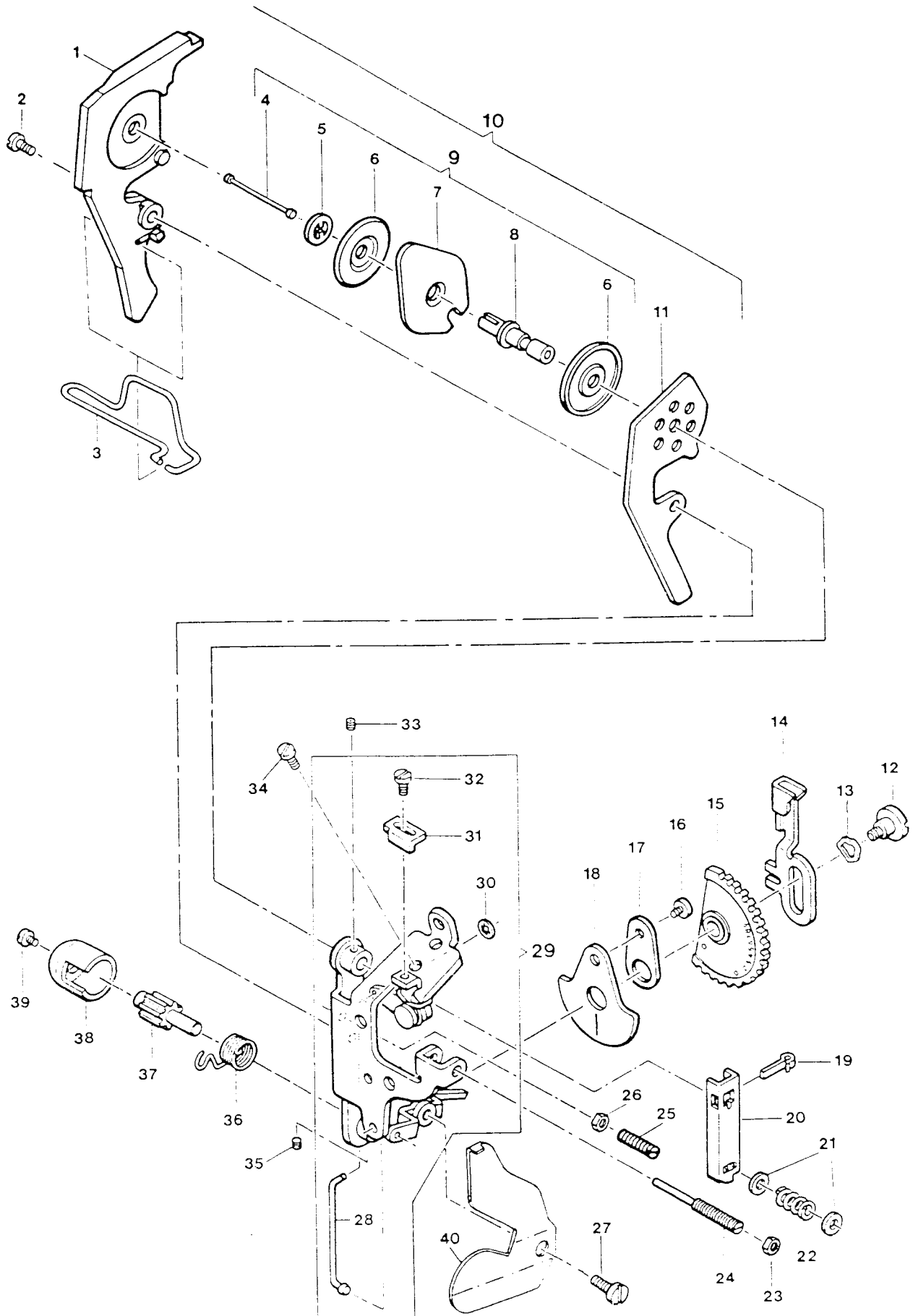
## NEEDLE BAR DRIVE AND HANDWHEEL / 597

REF.	PART NO.	DESCRIPTION
01	181625	THREAD TAKE-UP LEVER LINK HINGE STUD.
02	354328-451	THREAD TAKE-UP LEVER LINK HINGE STUD SET SCREW.
03	383109	THREAD TAKE-UP STUD.
04	382851	THREAD TAKE-UP LEVER, ASSEMBLY.
05	382776	NEEDLE BAR CONNECTING LINK (382776-900 MACHINED).
06	<del>354565-451</del>	THREAD TAKE-UP STUD SET SCREW.
07	139999-451	NEEDLE BAR CRANK POSITION SCREW.
08	181620	NEEDLE BAR CRANK WASHER (PLASTIC).
08	181620	ARM SHAFT (HORIZONTAL) COLLAR THRUST WASHER (PLASTIC).
09	382231	ARM SHAFT (HORIZONTAL), ASSEMBLY.
10	354152-451	SHUNT SCREW.
11	354506-451	SHUNT HOLDER SET SCREW.
12	382784	SHUNT ASSEMBLY.
13	382897	ARM SHAFT (HORIZONTAL) COLLAR.
14	354565-451	ARM SHAFT (HORIZONTAL) COLLAR SET SCREW.
16	382319-457	HAND WHEEL.
17	382320	HAND WHEEL PULLEY.
18	354201-451	HAND WHEEL PULLEY SET SCREW.
19	354317-451	HAND WHEEL SCREW.
20	151576	BELT IDLER PULLEY (SMALL) RETAINING RING.
21	382787	BELT IDLER PULLEY (SMALL) THRUST WASHER.
22	181732	BELT (ROTATING HOOK DRIVE).
23	382632	BELT IDLER PULLEY (SMALL) STUD (ECCENTRIC) COMPL..
24	382255	BELT IDLER PULLEY (SMALL, PLASTIC).
25	354505-451	BELT IDLER PULLEY (SMALL) STUD (ECCENTRIC) SET SCREW.
26	382256	BELT IDLER PULLEY (SMALL) STUD (ECCENTRIC).
27	382254	BELT IDLER PULLEY (LARGE, PLASTIC).
28	382787	BELT IDLER PULLEY (LARGE) THRUST WASHER.
29	151576	BELT IDLER PULLEY (LARGE) RETAINING RING.



From the library of: Diamond Needle Corp

TENSION MODULE / 102

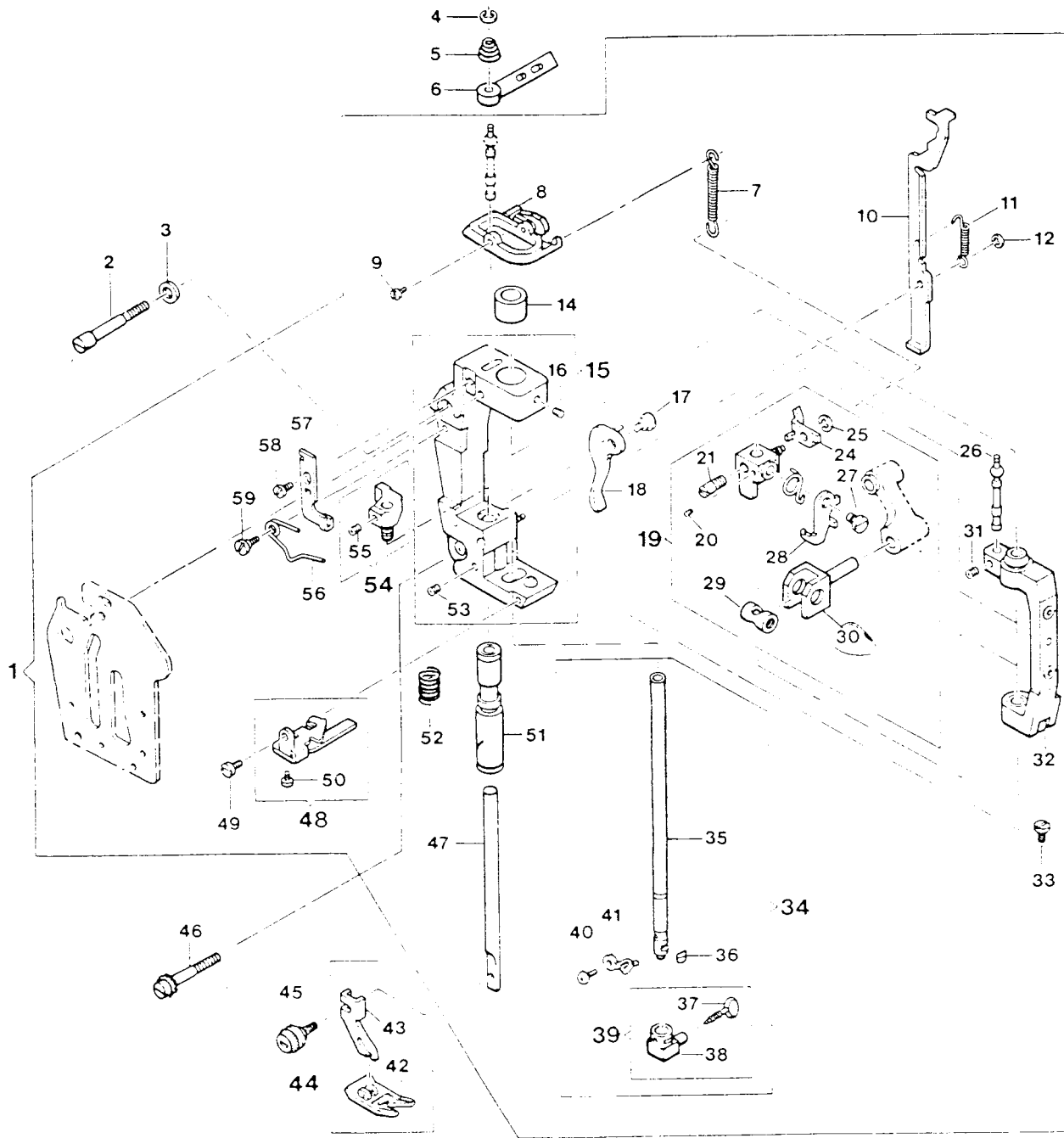


From the library of: Diamond Needle Corp

REF.	PART NO.	DESCRIPTION
01	382082-452	THREAD TAKE-UP SPRING THREAD GUARD.
02	354236-452	THREAD TAKE-UP SPRING THREAD GUARD SCREW.
03	381883	THREAD TAKE-UP SPRING THREAD GUARD BAR.
04	181857	TENSION DISC PRESSURE PIN (181857-900 PLATED).
05	174398	TENSION DISC PRESSURE PLATE.
06	382586	TENSION DISC (SMALL).
07	382603	TENSION DISC (LARGE).
08	382587	TENSION STUD.
09	382211	TENSION STUD, ASSEMBLY.
10	382083-452	TENSION MODULE COMPL..
11	382080-451	TENSION THREAD GUARD (382080-900 PAINTED).
12	354622-451	TENSION INDICATOR DIAL HINGE SCREW.
13	506479	TENSION INDICATOR DIAL HINGE SCREW FRICTION WASHER.
14	181854	TENSION REGULATING SLIDE.
15	181848-453	TENSION INDICATOR DIAL (PLASTIC) (181848-900 WITH GRAPHICS).
16	141697-814	TENSION INDICATOR SCREW.
17	381933	TENSION INDICATOR SPACER.
18	182222	TENSION INDICATOR (PLASTIC).
19	172906	TENSION REGULATING SLIDE PLATE SPRING CLIP.
20	181855	TENSION REGULATING SLIDE PLATE.
21	172731-451	TENSION ADJUSTING SCREW WASHER.
22	181877	TENSION SPRING.
23	54593-451	TENSION ADJUSTING SCREW NUT.
24	181873-454	TENSION ADJUSTING SCREW.
25	354167-451	TENSION REGULATING SLIDE POSITIONING SCREW.
26	53637-803	TENSION REGULATING SLIDE POSITIONING SCREW NUT.
27	354419-451	TENSION RELEASE LEVER ACTUATOR HINGE BUSHING SUPPORT SCREW.
28	381582	TENSION RELEASE LEVER CONNECTION (381582-900 HARDENED).
29	382079	TENSION MOUNTING BRACKET.
30	171272	TENSION RELEASE LEVER CONNECTION RETAINING RING.
31	381719	TENSION RELEASE LEVER ADJUSTING PLATE.
32	141862-814	TENSION RELEASE LEVER ADJUSTING PLATE SCREW.
33	354048-451	TENSION STUD SET SCREW.
34	354090-451	NEEDLE BAR RELEASE & TENSION MOUNTING SCREW.
35	354048-451	THREAD TAKE-UP SPRING STUD SET SCREW.
36	181872	THREAD TAKE-UP SPRING.
37	181875	THREAD TAKE-UP SPRING STUD & POSITION COLLAR.
38	181861-451	THREAD TAKE-UP SPRING CAP & SLACK THREAD REGULATOR (PLASTIC).
39	354049-451	THREAD TAKE-UP SPRING ADJUSTING SCREW.
40	383903	GUARD.

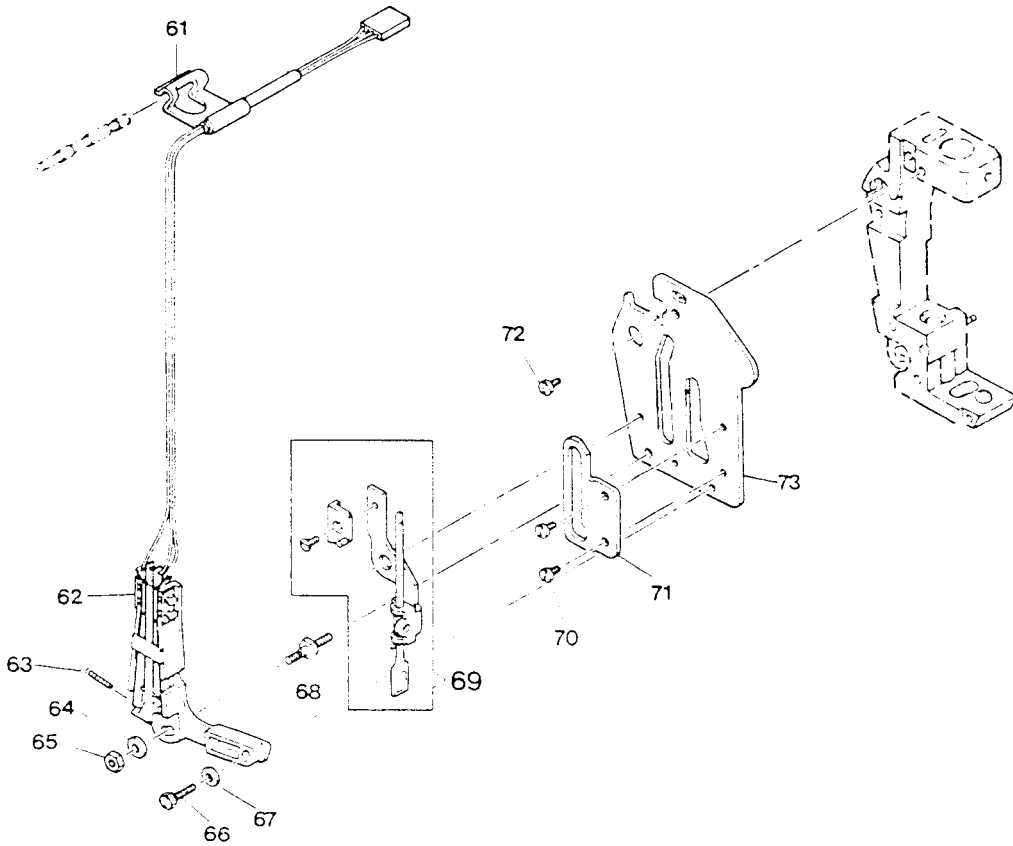
HEAD END MODULE / 606

REF.	PART NO.	DESCRIPTION
01	384039	HEAD END MODULE COMPLETE.
02	354023-451	NEEDLE BAR VIBRATING BRACKET FRAME POSITIONING & HINGE SCREW (UPPER).
03	181860-451	NEEDLE BAR VIBRATING BRACKET FRAME POSITIONING & HINGE SCREW (UPPER) WASHER.
04	381726	NEEDLE BAR DRIVING ARM BALL JOINT RETAINING RING.
05	382602	NEEDLE BAR DRIVING ARM BALL JOINT SPRING.
06	382600	NEEDLE BAR DRIVING ARM BALL JOINT (PLASTIC).
07	381586	NEEDLE BAR LIFTING SPRING.
08	383837	NEEDLE BAR HIGH LIFT RELEASING BRACKET RETAINER (383837-900 MACHINED).
09	141824-814	NEEDLE BAR HIGH LIFT RELEASING BRACKET RETAINER SCREW.
10	383319	NEEDLE BAR HIGH LIFT RELEASING BRACKET.
11	383364	NEEDLE BAR HIGH LIFT RELEASING BRACKET SPRING.
12	14494	NEEDLE BAR LIFTING SPRING RETAINING RING.
14	382374	NEEDLE BAR VIBRATING BRACKET BUSHING (UPPER) (181866-900 MACHINED).
15	383368	NEEDLE BAR VIBRATING BRACKET FRAME.
16	141891-830	NEEDLE BAR VIBRATING BRACKET BUSHING (UPPER) SET SCREW.
17	354010-451	PRESSER BAR LIFTER HINGE SCREW.
18	381547	PRESSER BAR LIFTER.
19	383032	NEEDLE BAR LATCH CARRIER COMPL..
20	354443-451	NEEDLE BAR LATCH ADJUSTING STUD (ECCENTRIC) SET SCREW.
21	354555-451	NEEDLE BAR CLAMPING & GUIDE SCREW.
24	381585	NEEDLE BAR LATCH RELEASING LEVER.
25	151576	NEEDLE BAR LATCH RELEASING LEVER RETAINING RING.
26	382601	NEEDLE BAR VIBRATING BRACKET BALL STUD (382601-900 MACHINED).
27	381816	NEEDLE BAR LATCH ADJUSTING STUD (ECCENTRIC).
28	181655	NEEDLE BAR LATCH.
29	172043	NEEDLE BAR CONNECTING STUD HINGE PIN.
30	382669	NEEDLE BAR CONNECTING STUD.
31	354063-451	NEEDLE BAR VIBRATING BRACKET BALL STUD SET SCREW.
32	382071	NEEDLE BAR VIBRATING BRACKET.
33	181670	NEEDLE BAR VIBRATING BRACKET PIVOT STUD.
34	381687	NEEDLE BAR COMPL..
35	181651	NEEDLE BAR.
36	163822	NEEDLE BAR GIB.
37	140751-453	NEEDLE THUMB SCREW.
38	546226	NEEDLE CLAMP BODY.
39	540382	NEEDLE CLAMP BODY COMPL..
40	354009-451	NEEDLE CLAMP BODY, NEEDLE CLAMP THREAD GUIDE & NEEDLE STOP SCREW. <i>141854-809</i>
41	163431	NEEDLE CLAMP THREAD GUIDE.
42	502280	PRESSER FOOT PLATE (SNAP-ON) FOR ZIG-ZAG SEWING.
43	163706	PRESSER FOOT SHANK (SNAP-ON) (163706-902 MACHINED).
44	303192	PRESSER FOOT (SNAP-ON) COMPL. FOR ZIG-ZAG SEWING.
45	181919	PRESSER FOOT THUMB SCREW & BOBBIN WINDER THREAD HOLDER.
46	354842-451	NEEDLE BAR VIBRATING BRACKET FRAME SCREW (LOWER) WITH WASHER.
47	383945	PRESSER BAR.
48	382769	THREAD SNUBBER.
49	354160-451	THREAD SNUBBER MOUNTING SCREW.
50	354500-451	THREAD SNUBBER ADJUSTING SCREW.
51	383576	PRESSER BAR BUSHING.
52	383944	PRESSER BAR SPRING.
53	354186-451	PRESSER BAR BUSHING SET SCREW.
54	383998	PRESSER BAR GUIDE BRACKET.
55	354846-451	PRESSER BAR GUIDE BRACKET SET SCREW.
56	383366	NEEDLE BAR RECOIL SPRING.
57	383620	NEEDLE BAR RECOIL SPRING BRACKET (ADJUSTABLE).
58	354121-451	NEEDLE BAR RECOIL SPRING BRACKET (ADJUSTABLE) SCREW.
59	354119-451	NEEDLE BAR RECOIL SPRING SCREW.



From the library of: Diamond Needle Corp





REF.	PART NO.	DESCRIPTION
61	383849	HARNES GROMMET & BRACKET.
62	604565-003	BUTTONHOLER SWITCH & LEADS ASSEMBLY.
63	604867	BUTTONHOLER SWITCH CONTACT (CUTER) ADJUSTING SCREW.
64	382947	BUTTONHOLER SWITCH SCREW STUD WASHER.
65	53654-814	BUTTONHOLER SWITCH SCREW STUD NUT.
66	141858-814	BUTTONHOLER SWITCH LOCKING SCREW.
67	382947	BUTTONHOLER SWITCH LOCKING SCREW WASHER.
68	354565-451	BUTTONHOLER SWITCH SCREW STUD.
69	383602	BUTTONHOLER KICK-OUT TRIPPING ROD LEVER.
70	141862-814	NEEDLE BAR CLAMPING & GUIDE SCREW ALIGNMENT PLATE SCREW.
71	383621	NEEDLE BAR CLAMPING & GUIDE SCREW ALIGNMENT PLATE.
72	141824-814	PRESSER BAR PRESSURE REGULATING DIAL MOUNTING PLATE SCREW.
73	384042	PRESSER BAR PRESSURE REGULATING MOUNTING PLATE.

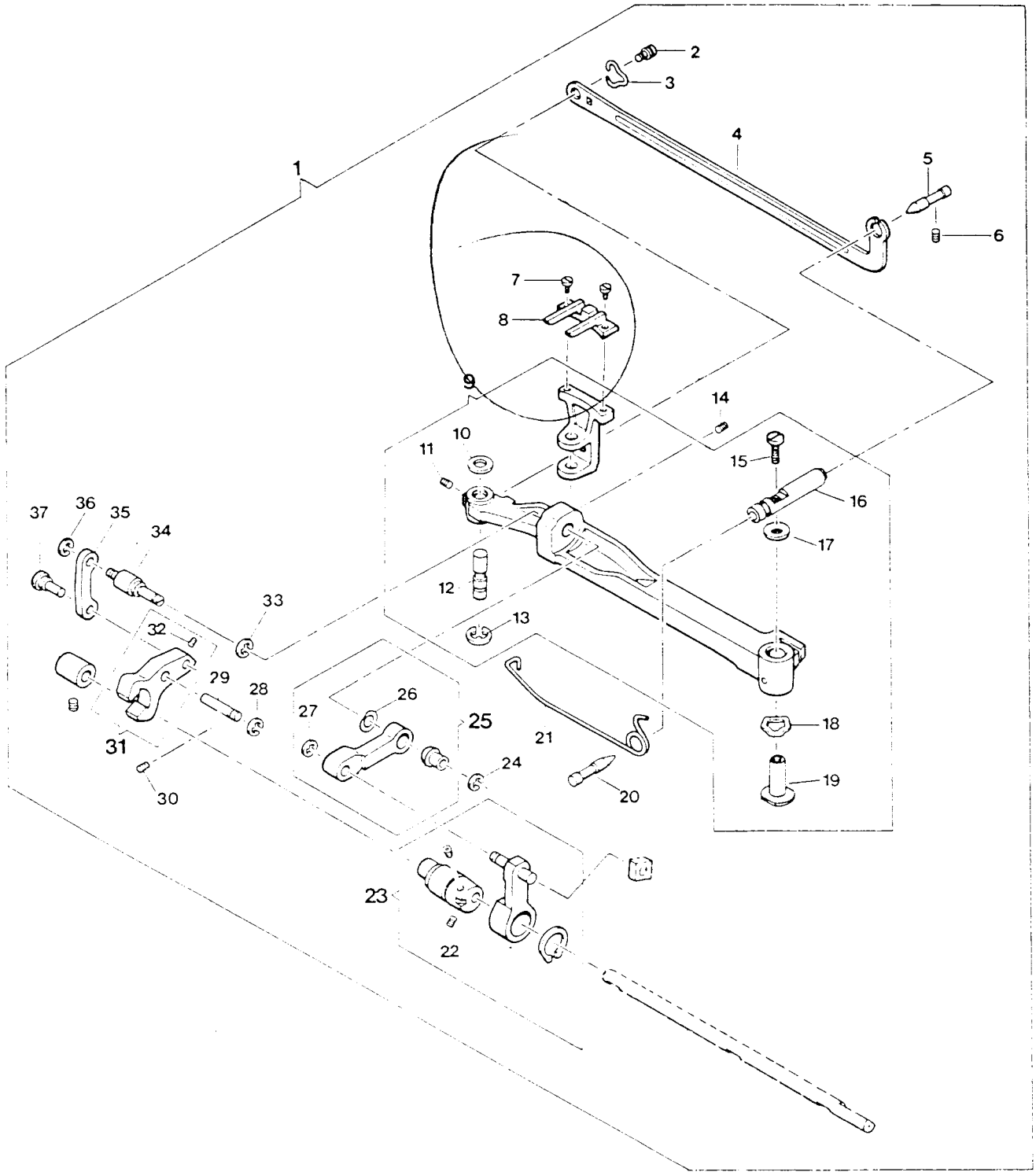
FEED DRIVE MECHANISM / 056,551-1

REF.	PART NO.	DESCRIPTION
01	383897	FEED BAR ASSEMBLY.
02	141827-803	FEED DOG HOLDER COMPENSATING LINK SCREW STUD.
03	511075	FEED DOG HOLDER COMPENSATING LINK RETAINING SPRING.
04	174216	FEED DOG HOLDER COMPENSATING LINK.
05	383899	FEED BAR GUIDE PIN CENTER (BACK).
06	354163-451	FEED BAR PIVOT HINGE STUD ADJUSTING PIN (ECCENTRIC) CENTER (BACK) SET SCREW.
07	141896-451	FEED DOG SCREW.
08	181843	FEED DOG 1181843-900 WITH URETHANE COATING).
09	383896	FEED BAR ASSEMBLY (MACHINED).
10	174251	FEED DOG HOLDER WASHER.
11	139878-869	FEED DOG HOLDER STUD SET SCREW.
12	174217	FEED DOG HOLDER STUD.
13	163562	FEED DOG HOLDER STUD RETAINING RING.
14	141812-451	FEED BAR CONNECTION & FEED LIFTING FORK CONNECTION HINGE STUD (ECCENTRIC) SET SCREW.
15	514692-451	FEED BAR PIVOT HINGE STUD LOCK SCREW.
16	507823	FEED BAR PIVOT GUIDE PIN.
17	507824	FEED BAR HINGE PIN WASHER.
18	511211	FEED BAR PIVOT HINGE STUD SPRING WASHER.
19	507822	FEED BAR PIVOT HINGE BEARING.
20	182199	FEED BAR PIVOT HINGE STUD ADJUSTING PIN (ECCENTRIC) CENTER (FRONT).
21	182239	FEED BAR SPRING.
22	141802-869	FEED LIFTING CAM & FEED ECCENTRIC SET SCREW.
23	172880	FEED REGULATOR SLIDE BLOCK DRIVE CONNECTION.
24	163562	FEED BAR CONNECTION & FEED LIFTING FORK CONNECTION HINGE STUD (ECCENTRIC) RETAINING RING.
25	381806	FEED BAR CONNECTION.
26	172947	FEED BAR CONNECTION & FEED LIFTING FORK CONNECTION HINGE STUD (ECCENTRIC) SPRING WASHER.
27	151576	FEED BAR CONNECTION RETAINING RING (LEFT).
28	163562	FEED LIFTING FORK CONNECTION RETAINING RING.
29	384113	FEED LIFTING FORK HINGE STUD.
30	139878-869	FEED LIFTING FORK HINGE STUD SET SCREW.
31	174270 - 950	FEED LIFTING FORK.
32	141802-869	FEED LIFTING FORK CONNECTION HINGE STUD (ECCENTRIC) SET SCREW.
33	163562	FEED LIFTING FORK HINGE STUD RETAINING RING (LEFT).
34	174247	FEED BAR CONNECTION & FEED LIFTING FORK CONNECTION HINGE STUD (ECCENTRIC).
35	511016	FEED LIFTING FORK CONNECTION.
36	163562	FEED BAR CONNECTION RETAINING RING (RIGHT).
37	174229	FEED LIFTING FORK CONNECTION HINGE STUD (ECCENTRIC).

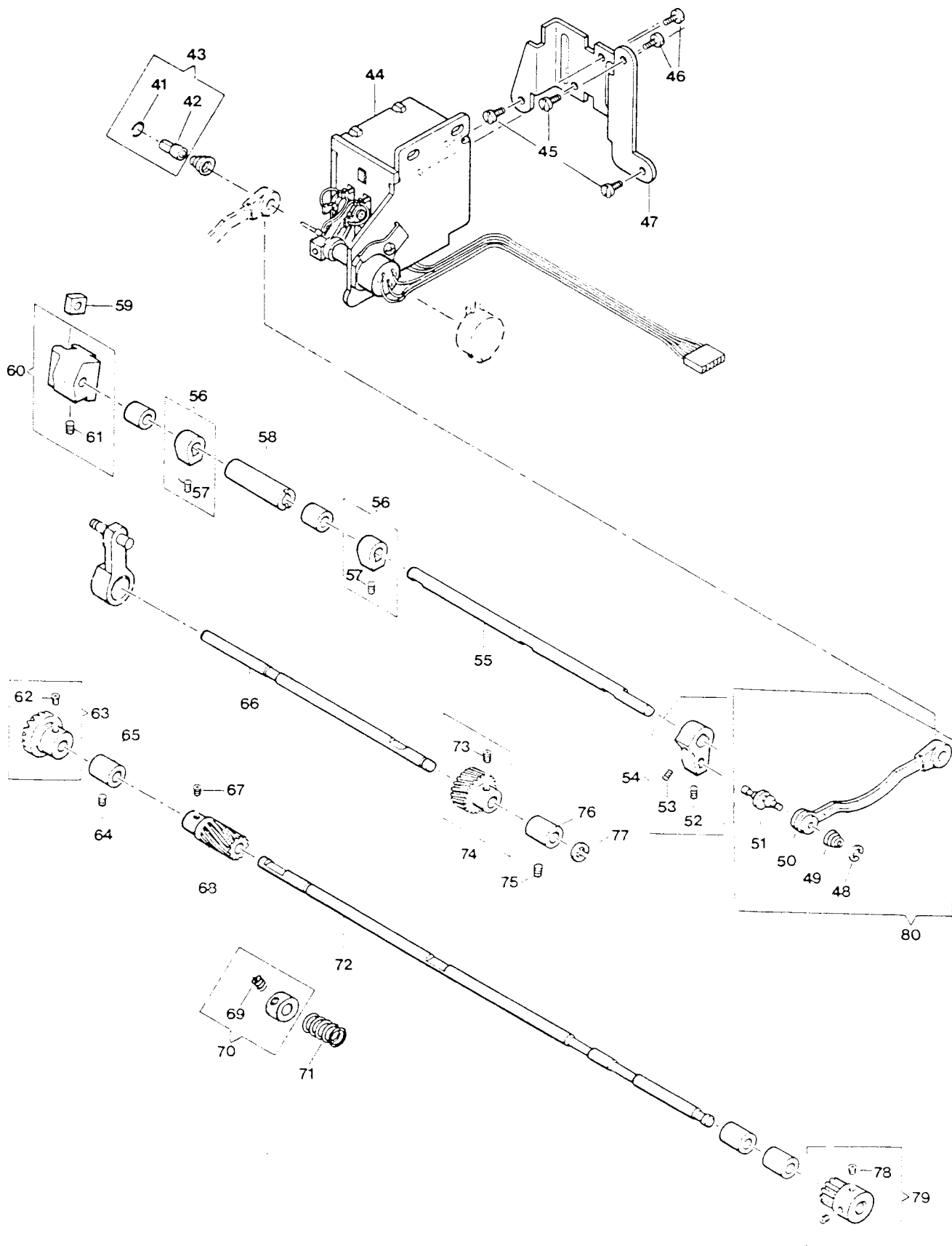
172750 - Feed LIFTING FORK ASSEMB

From the library of: Diamond Needle Corp

FEED DRIVE MECHANISM / 056,651



From the library of: Diamond Needle Corp



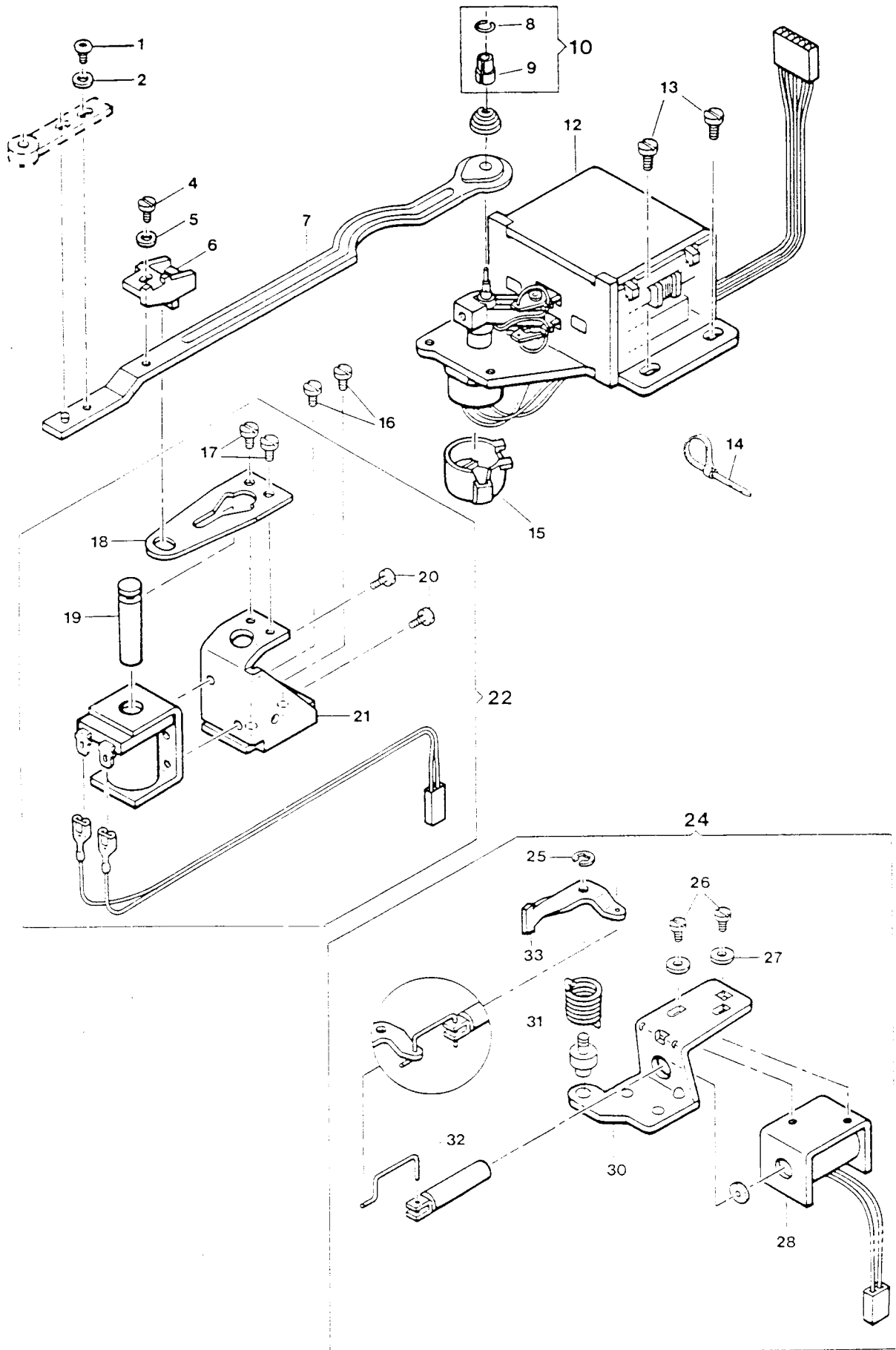
From the library of: Diamond Needle Corp

REF.	PART NO.	DESCRIPTION
41	383526	FEED REGULATOR SHAFT CRANK CONNECTING LINK RETAINING SLEEVE (BACK) CLAMPING RING.
42	383525	FEED REGULATOR SHAFT CRANK CONNECTING LINK RETAINING SLEEVE (BACK) (PLASTIC).
43	383537	FEED REGULATOR SHAFT CRANK CONNECTING LINK RETAINING SLEEVE (BACK) (PLASTIC).
44	988409-002	FEED DRIVE LINEAR MOTOR WITH HARNESS COMPL..
45	354090-491	FEED DRIVE LINEAR MOTOR MOUNTING BRACKET SCREW.
46	354530-451	FEED DRIVE LINEAR MOTOR MOUNTING SCREW.
47	382285	FEED DRIVE LINEAR MOTOR MOUNTING BRACKET.
48	381726	FEED REGULATOR SHAFT CRANK CONNECTING LINK RETAINING RING.
49	382602	FEED REGULATOR SHAFT CRANK CONNECTING LINK FRICTION SPRING (FRONT).
50	383277	FEED REGULATOR SHAFT CRANK CONNECTING LINK WITH MOLDED PLASTIC SOCKET.
51	382894	FEED REGULATOR SHAFT CRANK HINGE STUD (ECCENTRIC).
52	354575-451	FEED REGULATOR SHAFT CRANK HINGE STUD (ECCENTRIC) SET SCREW.
53	139878-869	FEED REGULATOR SHAFT CRANK SET SCREW.
54	382296-001	FEED REGULATOR SHAFT CRANK.
55	383014	FEED REGULATOR SHAFT.
56	181900	FEED REGULATOR SHAFT COLLAR.
57	141802-869	FEED REGULATOR SHAFT COLLAR SET SCREW.
58	382085	FEED REGULATOR SHAFT BUSHING (RIGHT).
59	511030	FEED REGULATOR SLIDE BLOCK.
60	382918	FEED REGULATOR.
61	141818-869	FEED REGULATOR SET SCREW.
62	141338-869	ROTATING HOOK DRIVE SHAFT BEVEL GEAR (PLASTIC) SET SCREW.
63	382877	ROTATING HOOK DRIVE SHAFT BEVEL GEAR (PLASTIC).
64	139878-869	ROTATING HOOK DRIVE SHAFT BUSHING (LEFT) SET SCREW.
65	383011	ROTATING HOOK DRIVE SHAFT BUSHING (LEFT)
66	181598	FEED DRIVE SHAFT.
67	141772-869	FEED DRIVE SHAFT DRIVING GEAR (HELICAL, PLASTIC) SET SCREW.
68	174488	FEED DRIVE SHAFT DRIVING GEAR (HELICAL, PLASTIC).
69	141802-869	ROTATING HOOK DRIVE SHAFT SPRING ADJUSTING COLLAR SET SCREW.
70	381867	ROTATING HOOK DRIVE SHAFT SPRING ADJUSTING COLLAR.
71	384035	ROTATING HOOK DRIVE SHAFT SPRING.
72	181579	ROTATING HOOK DRIVE SHAFT.
73	141338-869	FEED DRIVE SHAFT GEAR (HELICAL, PLASTIC) SET SCREW.
74	174491	FEED DRIVE SHAFT GEAR (HELICAL, PLASTIC).
75	139878-869	FEED DRIVE SHAFT BUSHING (LEFT & RIGHT) SET SCREW.
76	383011	FEED DRIVE SHAFT BUSHING (LEFT & RIGHT).
77	163562	FEED DRIVE SHAFT RETAINING RING.
78	141338-869	ROTATING HOOK DRIVE SHAFT BELT PULLEY SET SCREW.
79	174282-001	ROTATING HOOK DRIVE SHAFT BELT PULLEY.
80	383277	FEED REGULATOR SHAFT CRANK CONNECTING LINK COMPL..

## BIGHT DRIVE AND NEEDLE BAR RELEASE MECHANISM / 610,662,670

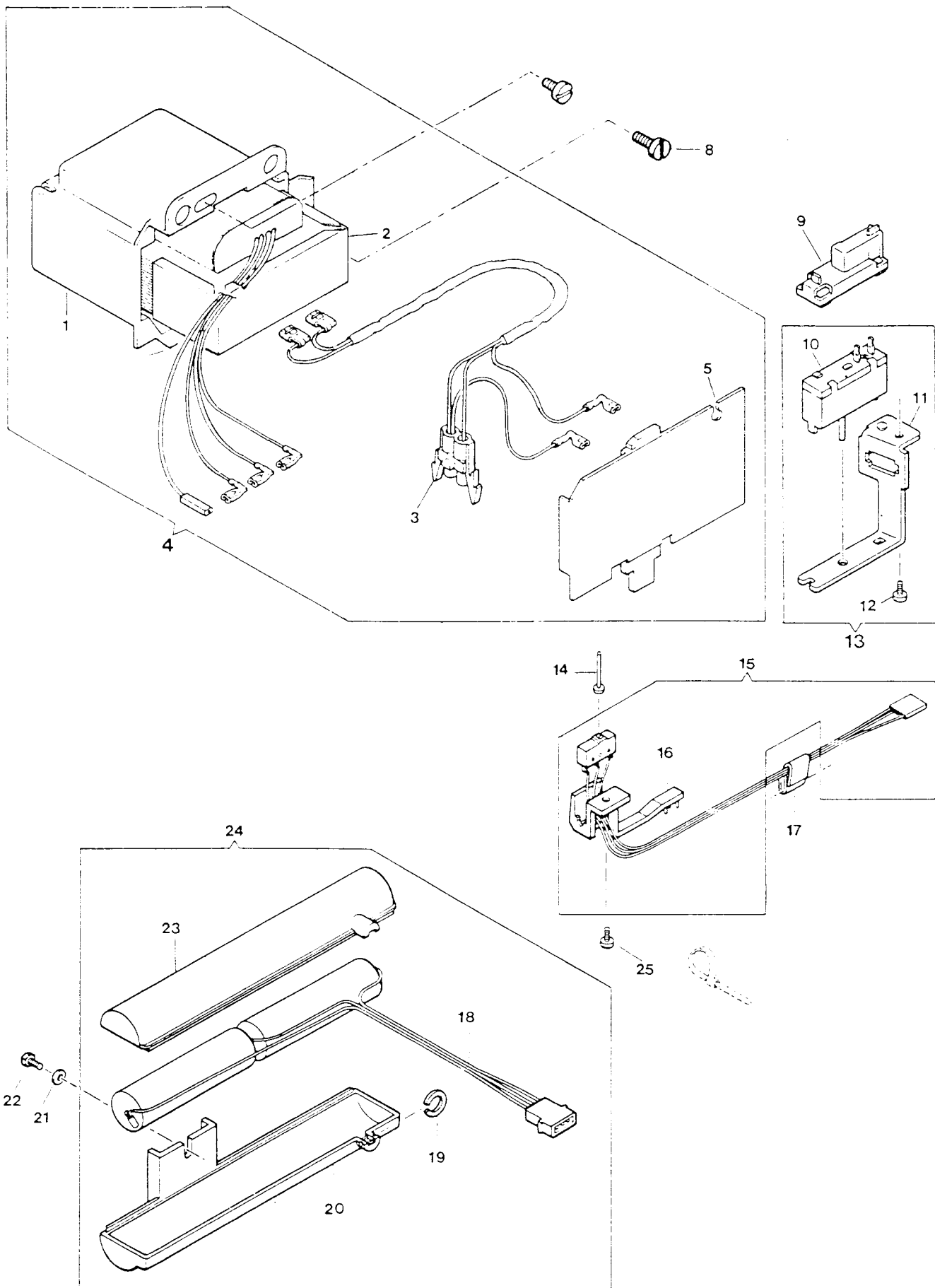
REF.	PART NO.	DESCRIPTION
01	354232-451	NEEDLE BAR DRIVING ARM BALL JOINT SCREW.
02	931929-004	NEEDLE BAR DRIVING ARM BALL JOINT SCREW WASHER.
04	354267-451	NEEDLE BAR DRIVING ARM STUD MOUNTING SCREW.
05	931868-008	NEEDLE BAR DRIVING ARM STUD MOUNTING SCREW WASHER.
06	382841	NEEDLE BAR DRIVING ARM STUD (PLASTIC).
07	383592	NEEDLE BAR DRIVING ARM.
08	383526	NEEDLE BAR DRIVING ARM RETAINING SLEEVE CLAMPING RING.
09	383525	NEEDLE BAR DRIVING ARM RETAINING SLEEVE (PLASTIC).
10	383537	NEEDLE BAR DRIVING ARM RETAINING SLEEVE COMPL..
12	988465-001	BIGHT DRIVE LINEAR MOTOR COMPLETE.
13	354090-451	BIGHT DRIVE LINEAR MOTOR MOUNTING SCREW.
14	605600-001	TY-RAP.
15	382909	BIGHT DRIVE LINEAR MOTOR POTENTIOMETER CAP (PLASTIC).
16	354090-451	NEEDLE BAR DRIVING ARM POSITIONING SOLENOID MOUNTING BRACKET SCREW.
17	354037-451	NEEDLE BAR DRIVING ARM POSITIONING LEVER MOUNTING SCREW.
18	382639	NEEDLE BAR DRIVING ARM POSITIONING LEVER.
19	382640	STRAIGHT STITCH SAFETY SOLENOID PLUNGER.
20	354121-451	NEEDLE BAR DRIVING ARM POSITIONING SOLENOID MOUNTING SCREW.
21	382935	NEEDLE BAR DRIVING ARM POSITIONING SOLENOID MOUNTING BRACKET.
22	382936	NEEDLE BAR DRIVING ARM POSITIONING SOLENOID COMPLETE.
24	383919	NEEDLE BAR RELEASE MECHANISM MOUNTING BRACKET COMPL..
25	165472	NEEDLE BAR RELEASE ACTUATING LEVER RETAINING RING.
26	354121-451	NEEDLE BAR RELEASE SOLENOID MOUNTING SCREW.
27	931868-008	NEEDLE BAR RELEASE SOLENOID MOUNTING SCREW WASHER.
28	382676	NEEDLE BAR RELEASE SOLENOID ASSEMBLY.
30	383918	NEEDLE BAR RELEASE MECHANISM MOUNTING BRACKET ASSEMBLY.
31	382825	NEEDLE BAR RELEASE ACTUATING LEVER RETURN SPRING.
32	382649	NEEDLE BAR RELEASE ACTUATING LEVER CONNECTION LINK.
33	383914	NEEDLE BAR RELEASE ACTUATING LEVER.

BIGHT DRIVE AND NEEDLE BAR RELEASE MECHANISM / 610,662,670



From the library of: Diamond Needle Corp



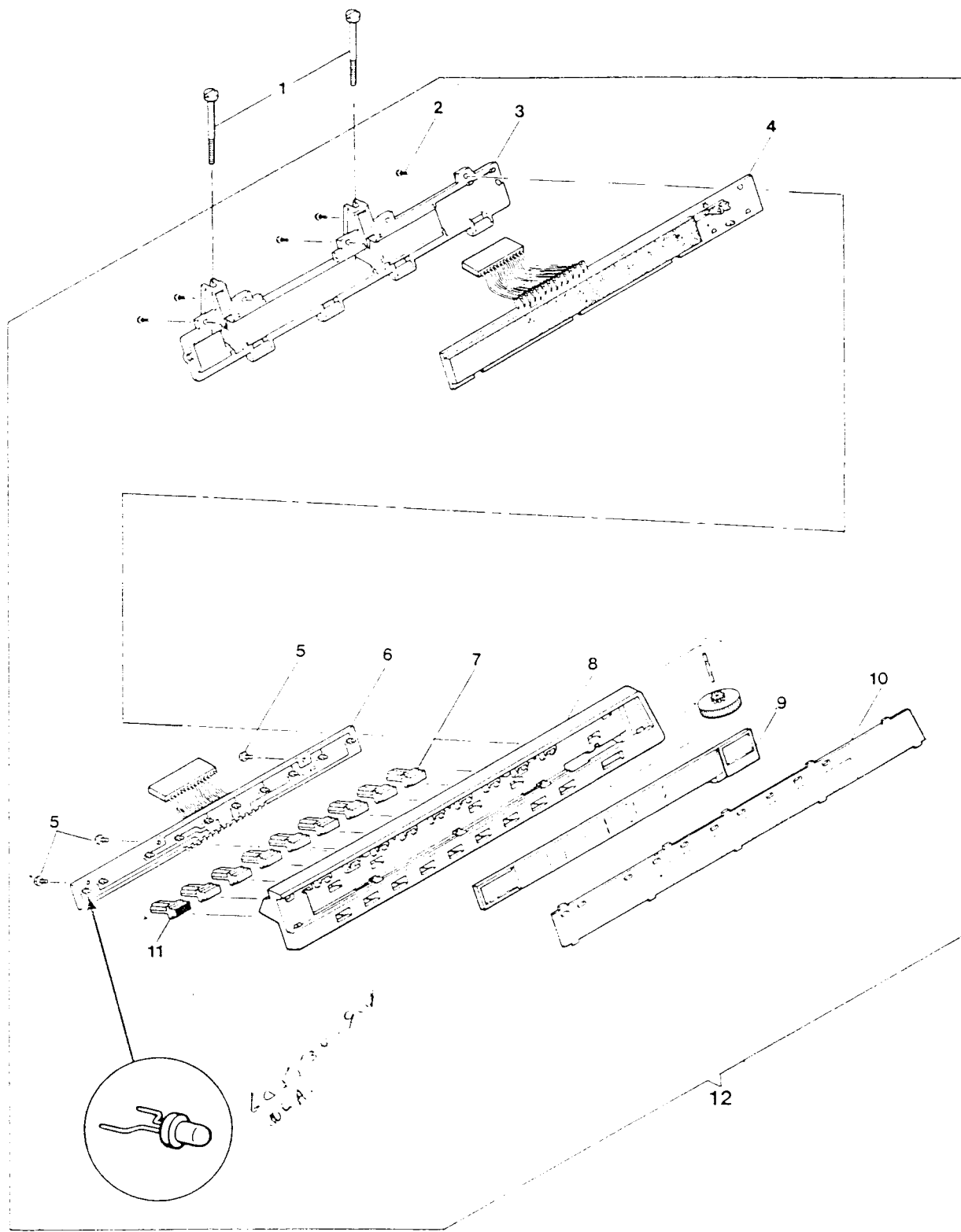


From the library of: Diamond Needle Corp

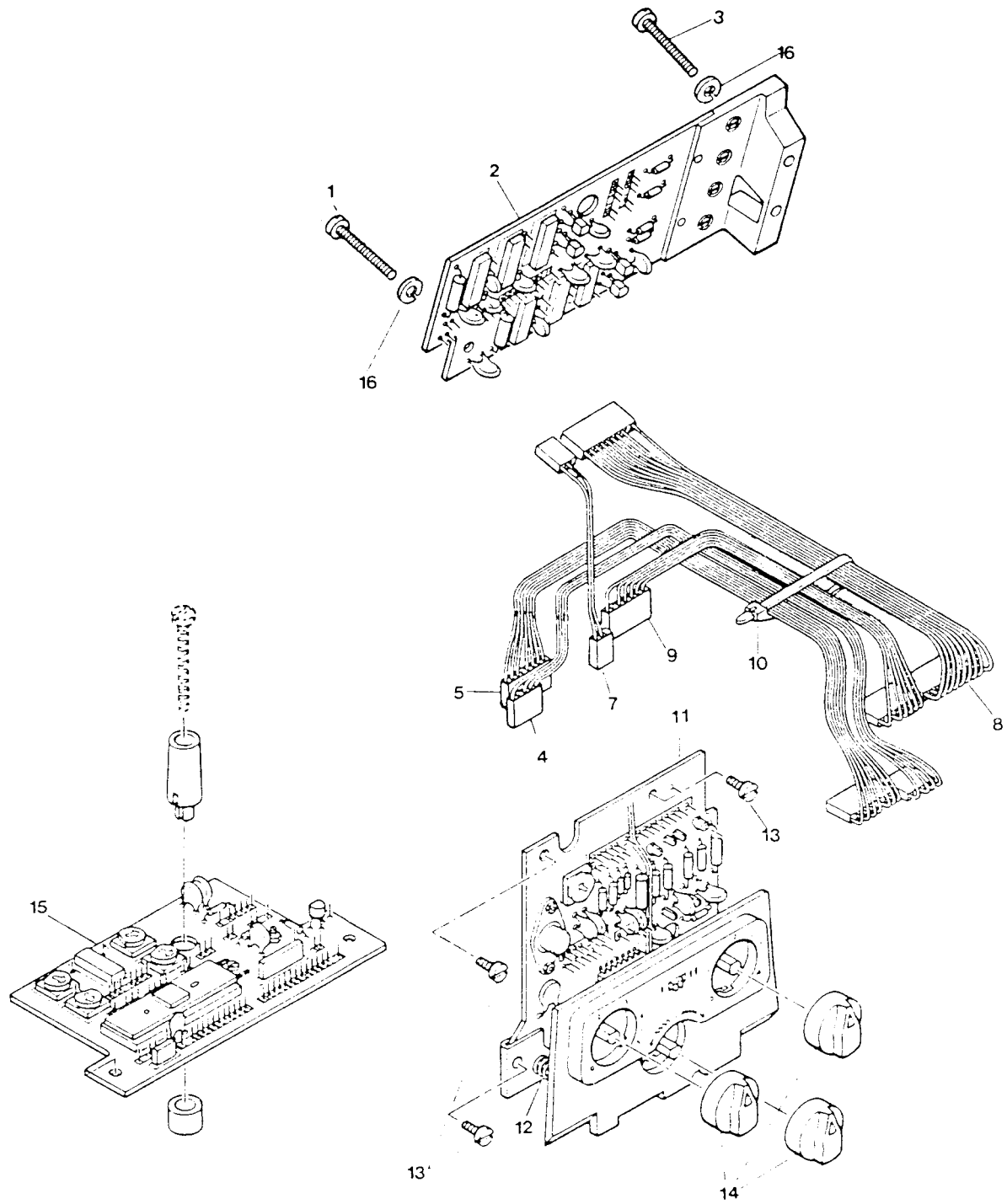
REF.	PART NO.	DESCRIPTION
01	383274	TRANSFORMER HOUSING (PLASTIC).
02	988478-001	TRANSFORMER WITH TERMINALS AND LIGHT CONNECTOR.
03	609383-001	HARNESS COMPL. (TRANSFORMER, MOTOR).
04	988477-001	TRANSFORMER ASSEMBLY (120 VOLTS).
05	383295	TRANSFORMER RETAINER (PLASTIC).
06	354090-451	TRANSFORMER ASSEMBLY MOUNTING SCREW.
09	604910-001	CIRCUIT BREAKER COVER.
10	605522-001	CIRCUIT BREAKER. <i>NIA - 654</i>
11	604494-001	MOUNTING BRACKET.
12	354529-451	BRACKET MOUNTING SCREW.
13	604493-001	CIRCUIT BREAKER WITH BRACKET.
14	382778	STRAIGHT STITCH SAFETY SWITCH ACTUATING PLUNGER (PLASTIC) (IN BED).
15	605658-001	STRAIGHT STITCH SAFETY SWITCH HARNESS & MOUNTING BRACKET.
16	382777	STRAIGHT STITCH SAFETY SWITCH MOUNTING BRACKET (PLASTIC).
17	382469-000	SPEED CLIP
18	605659-001	CAPACITORS W/HARNESS.
19	151545	CAPACITOR HOUSING CLAMPING RING.
20	988506-001	CAPACITOR HOUSING (LOWER).
21	931868-027	CAPACITOR HOUSING MOUNTING SCREW WASHER.
22	354550-451	CAPACITOR HOUSING MOUNTING SCREW.
23	988505-001	CAPACITOR HOUSING (UPPER).
24	605660-001	CAPACITOR W/HARNESS & HOUSING ASSEMBLY.
25	141824-814	STRAIGHT STITCH SAFETY SWITCH BRACKET SCR EW.

LOGIC AND CONTROL ELECTRONICS / 621

REF.	PART NO.	DESCRIPTION
01	354578-451	MASTER CONTROL LOGIC BOARD & PATTERN SELECTOR SCREW.
02	354465-451	PATTERN SELECTION BUTTON BOARD COVER SCREW.
03	382150	PATTERN SELECTION BUTTON BOARD COVER (PLASTIC).
04	<del>382150</del>	PATTERN SELECTION BUTTON BOARD ASSEMBLY. 382693-001
05	354466-451	PATTERN SELECTION BUTTON L.E.D. BOARD SCREW.
06	605612-003	PATTERN SELECTION L.E.D. BOARD ASSEMBLY.
07	382265-452	PATTERN SELECTION BUTTON (PLASTIC).
08	382155-452	PATTERN SELECTION BUTTON CARRIER (PLASTIC).
09	384025	STITCH PATTERN INDEX PANEL WITH GRAPHICS.
10	384027	STITCH PATTERN INDEX PANEL MASK.
11	383666-452	REVERSE FEED BUTTON (PLASTIC).
12	384028-451	PATTERN SELECTION BUTTON CARRIER ASSEMBLY.



From the library of: Diamond Needle Corp



From the library of: Diamond Needle Corp

REF.	PART NO.	DESCRIPTION
01	354612-451	MASTER CONTROL LOGIC BOARD SPACER SCREW.
02	605533-007	LINEAR SERVO P.C. BOARD ASSEMBLY.
<del>03</del>	<del>354537-451</del>	<del>LINEAR SERVO P.C. BOARD SCREW.</del>
04	605629-002	HARNESS COMPL. (5 PIN) (OVERRIDE BOARD TO LOGIC).
05	605628-002	HARNESS COMPL. (8-PIN) (OVERRIDE BOARD TO LOGIC).
07	605630-003	HARNESS COMPL. (3-PIN) (LOGIC TO SERVO BOARD).
08	605631-002	HARNESS COMPL. (10 PIN) (OVERRIDE BOARD TO SERVO BOARD).
09	605627-002	HARNESS COMPL. (7-PIN) (OVERRIDE BOARD TO LOGIC).
10	605600-001	TY-RAP.
11	988504-001	OVERRIDE CONTROL P.C. BOARD & PANEL ASSEMBLY.
12	382630	ARM FRONT COVER & DIAL INSERT PANEL SPRING.
13	354090-451	ARM FRONT COVER & DIAL INSERT PANEL RETAINING SCREW.
14	382553	FEED CONTROL DIAL W/RING.
	382553	FEED BALANCING DIAL W/RING.
	382553	BIGHT CONTROL DIAL W/RING.
15	605531-009	MASTER CONTROL LOGIC BOARD ASSEMBLY.
16	703473-020	LINEAR SERVO P.C. BOARD SCREW LOCK WASHER.

*Override Rem*

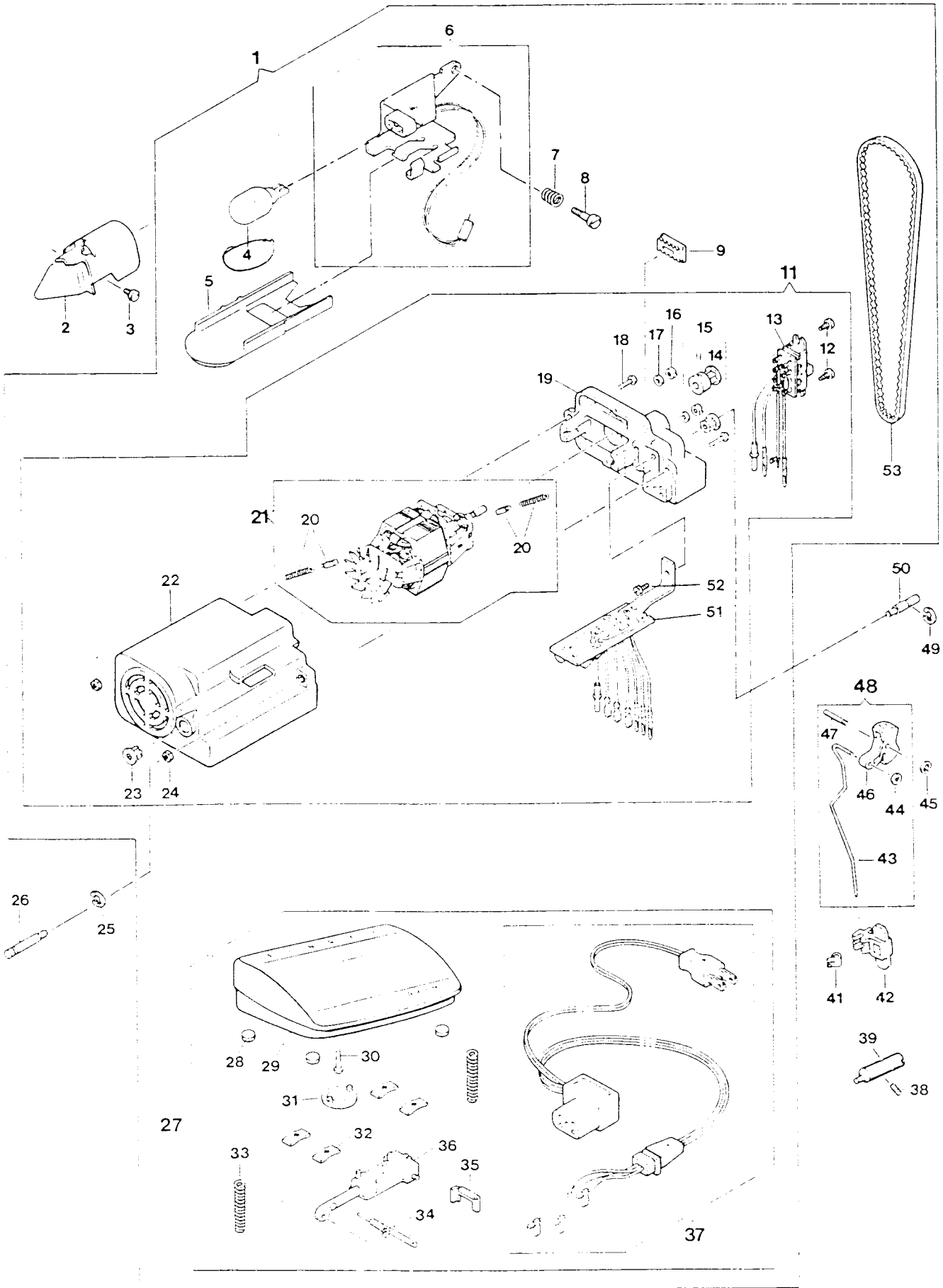
*linear hite  
Motor NLA*

*see sheet at  
end of this section on  
how to fix*

## ELECTRICAL EQUIPMENT / 235,635

REF.	PART NO.	DESCRIPTION
01	988494-001	ELECTRICAL EQUIPMENT (DISCRETE CIRCUIT) (110-120 VOLTS).
02	382250	LIGHT SHIELD.
03	354090-451	LIGHT SHIELD SCREW.
04	605282-001	LAMP.
05	<del>605283-001</del>	<del>LIGHT LENS.</del>
06	<del>988158-002</del>	<del>LIGHT COMPL.</del> <i>5 314319</i>
07	603987-001	LIGHT BRACKET SPRING.
08	988292-001	LIGHT BRACKET MOUNTING SCREW.
09	604228-001	MOTOR ADJUSTING BLOCK.
11	<del>604788-003</del>	<del>MOTOR COMPLETE (CAT. NO. 604788-003)</del> <i>RAI 2 1-8 → 988507002</i>
12	618634-004	SELF TAPPING SCREW (SWITCH).
13	604783-001	SWITCH COMPLETE.
14	514509-830	SET SCREW (PULLEY).
15	604431-002	PULLEY COMPL. W/SET SCREW.
16	603907-002	NUT.
17	604018-001	WASHER.
18	140677-003	ROUND HEAD SCREW NO. 4-40.
19	604035-003	COMMUTATOR END HOUSING.
20	619434-002	BRUSH WITH SPRING.
21	604299-002	MOTOR MODULE.
22	604034-003	COVER.
23	604229-001	BUSHING.
24	706404-017	HEX NUT NO. 4-40.
25	151527	MOTOR HINGE PIN (LEFT) RETAINING RING.
26	383761	MOTOR HINGE PIN (LEFT).
27	604280-001	CONTROLLER COMPLETE (CAT. NO. 508).
28	619491-002	RUBBER FEET.
29	619489-003	BASE & PEDAL ASSEMBLED.
30	619192-001	SHOULDER SCREW.
31	619492-001	SNAP-ON PLUG.
32	618536-002	PUSH-ON NUT.
33	618542-001	PEDAL RETURN SPRING.
34	619184-001	ACTUATING LEVER WITH TORSION SPRING.
35	618813-001	STRAIN RELIEF CLIP.
36	604173-002	STRAIGHT LINE POTENTIOMETER.
37	604278-001	CORD COMPL. (LINE).
38	140455-869	MOTOR ADJUSTING STUD (ECCENTRIC) SET SCREW.
39	383738	MOTOR ADJUSTING STUD (ECCENTRIC).
41	382330	LIGHT SWITCH ACTUATING BRACKET SPRING CLIP.
42	382382	LIGHT SWITCH ACTUATING BRACKET (PLASTIC).
43	383940	LIGHT SWITCH ACTUATING ROD.
44	381513	LIGHT SWITCH ACTUATING ROD RETAINING RING.
45	14494	LIGHT SWITCH ACTUATING ROCKER BUTTON RETAINING RING.
46	182048-007	LIGHT SWITCH ACTUATING ROCKER BUTTON (PLASTIC) (182048-400 WITH GRAPHICS).
47	182048	LIGHT SWITCH ACTUATING ROCKER BUTTON PIN.
48	383934-003	LIGHT SWITCH ACTUATING ROCKER BUTTON.
49	151527	MOTOR HINGE PIN (RIGHT) RETAINING RING.
50	382367	MOTOR HINGE PIN (RIGHT).
51	604787-001	CIRCUIT BOARD ASSEMBLY.
52	618634-004	SELF TAPPING SCREW.
53	603975-002	BELT (MOTOR).

*grounded  
cont  
605799-001*



From the library of: Diamond Needle Corp